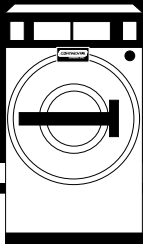




GIRBAU, INC.

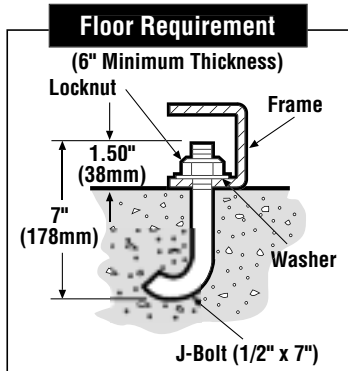
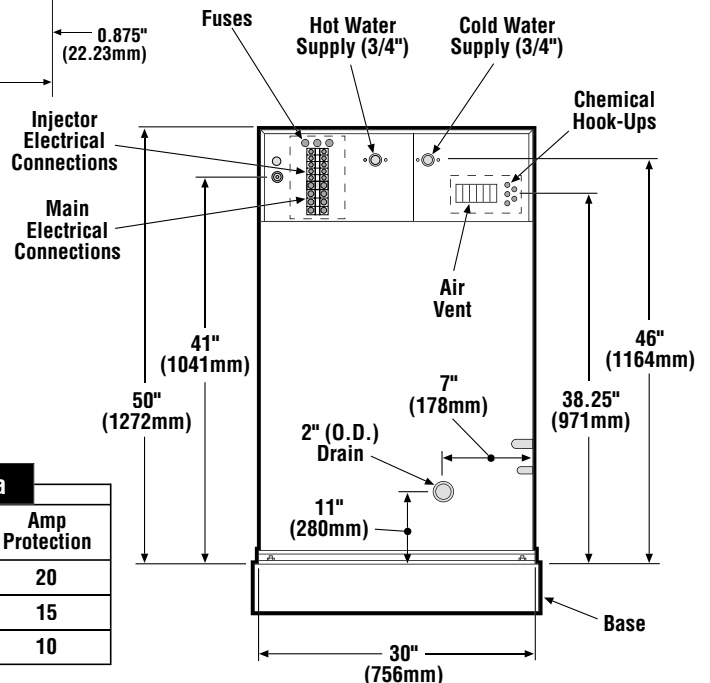
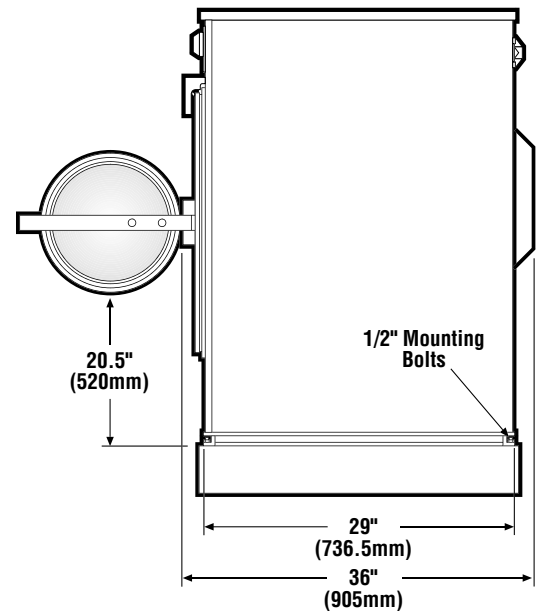
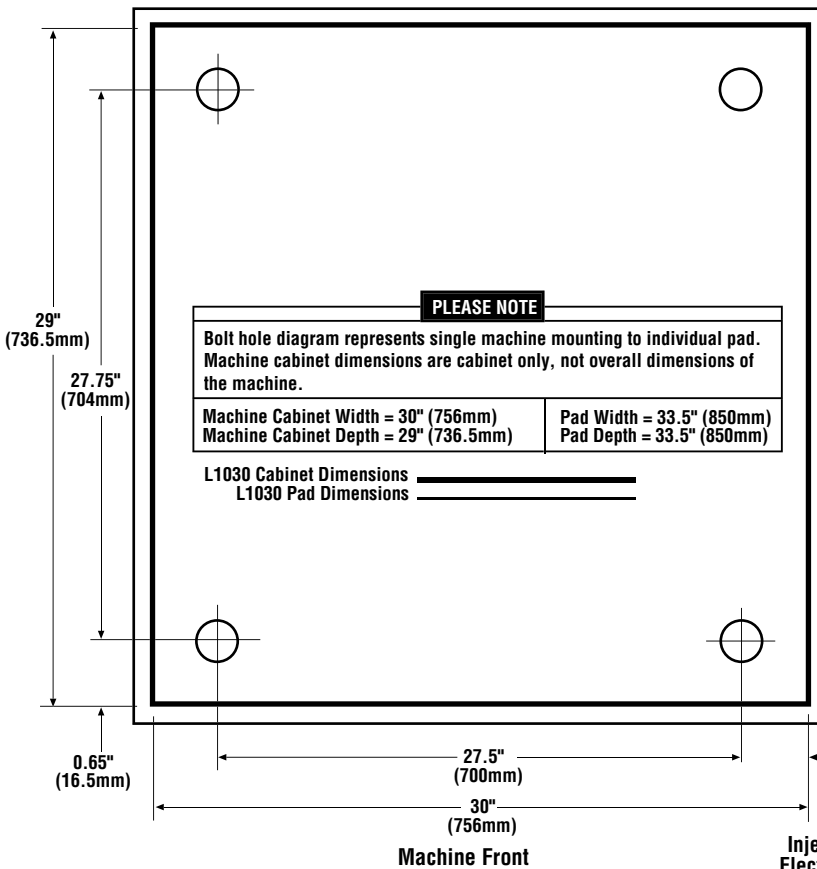
2500 State Road 44 • Oshkosh, WI 54904
 (920) 231-8222 • FAX (920) 231-4666
 www.cont-girbau.com



L1030

WASHER-EXTRACTOR

Mounting Bolt Hole Template



Electrical Data		
Voltage	Wire Config.	Amp Protection
220-240/60/1	2W+G	20
208-240/60/3	3W+G	15
440/60/3	3W+G	10

Elevation Base Recommendation: 4" (102mm) Steel or Concrete

*Specifications subject to change without notice.

L1030 Product Technical Specifications

Capacity	30 lbs.	(12 kg.)
Cylinder Diameter	23 in.	(580 mm.)
Cylinder Depth	18 in.	(450 mm.)
Cylinder Volume	4.2 cu. ft.	(119 dm ³)
Crated Weight	560 lbs.	(254 kg.)
Net Weight	492 lbs.	(223 kg.)
Height	50 in.	(1272 mm.)
Overall Depth (w/o handle)	36 in.	(905 mm.)
Width	30 in.	(756 mm.)
Floor to Door (h)	20.5 in. plus base	(520 mm. plus base)
Washing Speed	48 rpm	
Spin Speed	480 rpm	
G Force	75	
Drain	2 in.	(51 mm.)
Water	.75 in.	(19 mm.)
Steam	.5 in.	(12.7 mm.)
Motor Horsepower	.3/1.5 HP	
Electric Heating (optional)	12 Kw	
Shipping Dimensions (W x D x H)	31 x 38 x 55 in.	(780 x 972 x 1395 mm)
Minimum Clearance		
Rear	16 in.	(400 mm.)
Sides L&R	.5 in.	(13 mm.)
Front	39 in.	(1000 mm.)

Chemical Hook-Up Information

TERMINAL CONNECTIONS ALL MODELS		CHEMICAL INJECTION (Dosing)		
		PM-CM-SM MODEL TERMINAL CONNECTIONS	S/R-C/R MODEL TERMINAL CONNECTIONS	
Supply #	Conn. #		SR	CR
5	X5-6	47		
4	X5-5	46	28	23
3	X5-4	45	27	22
2	X5-3	44	26	21
1	X5-2	43	25	20
Common	X5-1	207	207	

