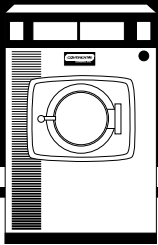




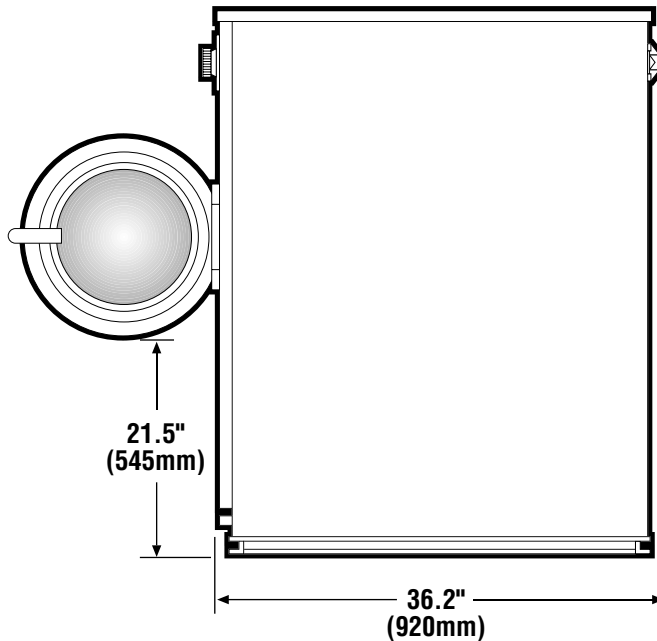
**GIRBAU, INC.**

2500 State Road 44 • Oshkosh, WI 54904  
 (920) 231-8222 • FAX (920) 231-4666  
 www.cont-girbau.com



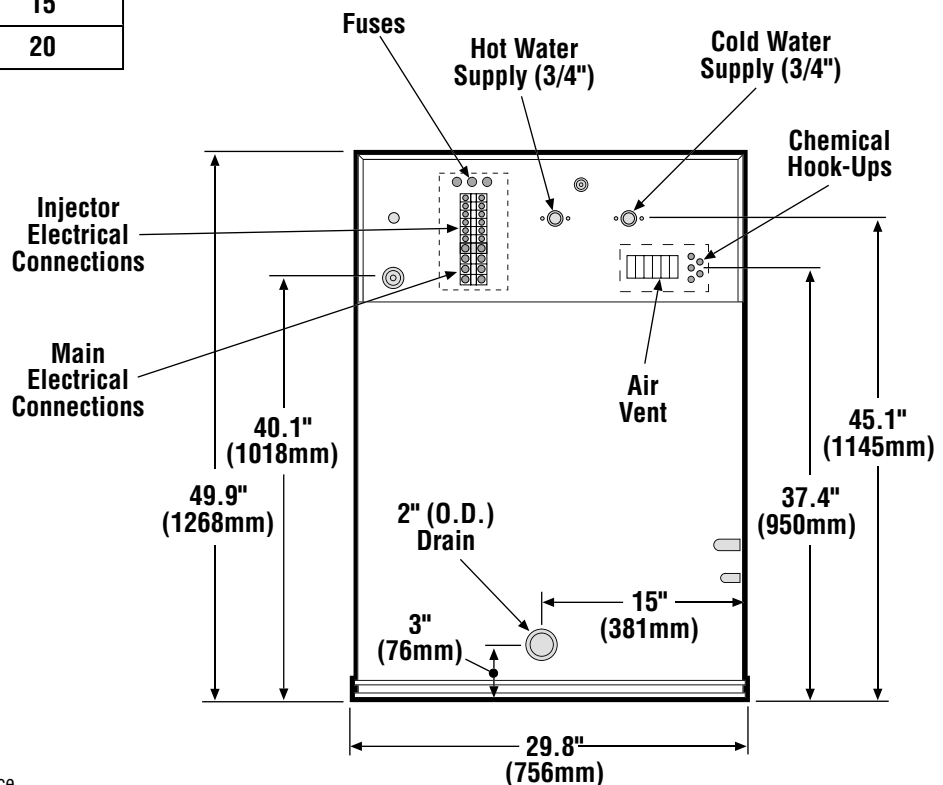
# H2030

**HIGH-PERFORMANCE  
 WASHER-EXTRACTOR**



**Electrical Data**

Voltage	Wire Config.	Amp Protection
208-240/60/1	2W+G	15
120/60/1	2W+G	20



\*Specifications subject to change without notice.

## H2030 Product Technical Specifications

Capacity	30 lbs.	(12 kg.)
Cylinder Diameter	23 in.	(580 mm.)
Cylinder Depth	17.75 in.	(450 mm.)
Cylinder Volume	4.2 cu. ft.	(119 dm <sup>3</sup> )
Crated Weight	739 lbs.	(335 kg.)
Net Weight	683 lbs.	(310 kg.)
Height	49.9 in.	(1268 mm.)
Overall Depth	36.2 in.	(920 mm.)
Width	29.8 in.	(756 mm.)
Floor to Door (h)	21.5 in.	(545 mm.)
Washing Speed	47 rpm	
Spin Speeds	82/500/650/800/1000 rpm	
G Force	325	
Drain	2 in.	(51 mm.)
Water	.75 in.	(19 mm.)
Steam (optional)	.5 in.	(12.7 mm.)
Motor Horsepower	1.0 HP	
Electric Heating (optional)	11.5 Kw	
Shipping Dimensions (W x D x H)	30.6 x 37 x 53.9 in.	(776 x 940 x 1370 mm.)

## Chemical Hook-Up Information

WIRING CONNECTIONS ALL MODELS	CONTROL PM	CONTROL SM/CM
X5-1	Common	Common
X5-2	Supply 1	Prewash
X5-3	Supply 2	Wash
X5-4	Supply 3	Bleach
X5-5	Supply 4	Softener
X5-6	Supply 5	Not Used

