

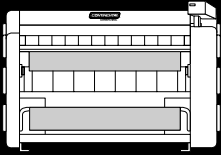


**GIRBAU, INC.**

2500 State Road 44 • Oshkosh, WI 54904

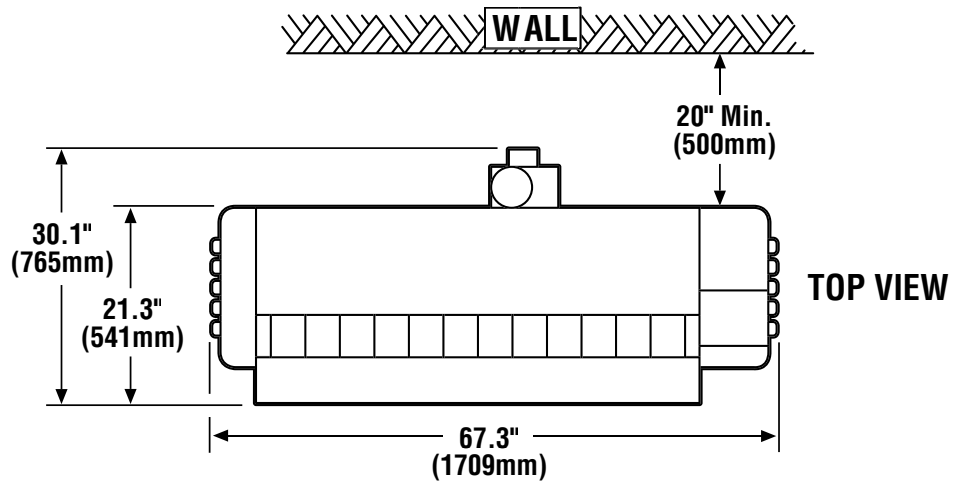
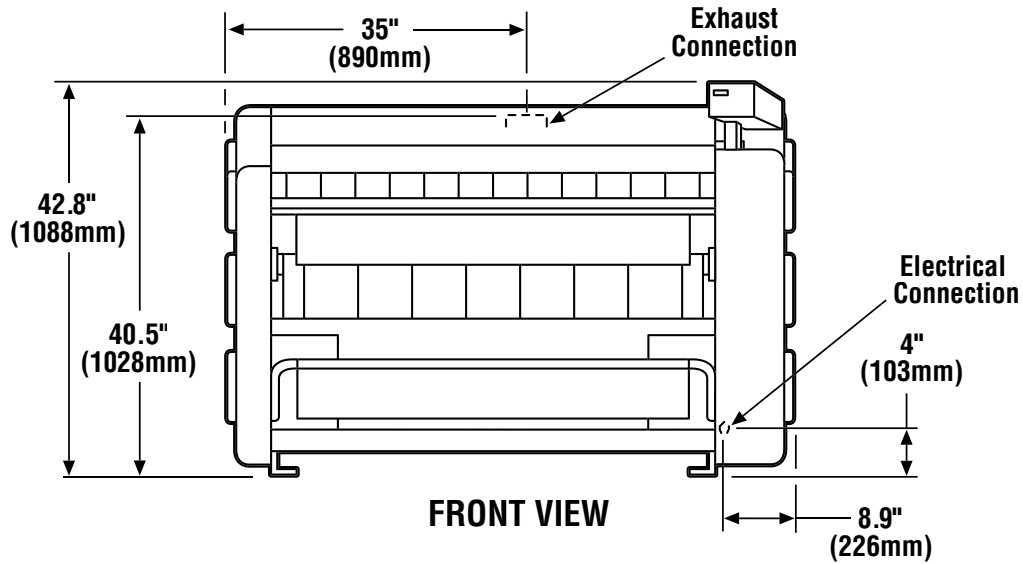
(920) 231-8222 • FAX (920) 231-4666

www.cont-girbau.com



# F08048

## COMMERCIAL FLATWORK IRONER



\*Specifications subject to change without notice.

## F08048 Product Technical Specifications

Cylinder Diameter	8.7 in.	(220 mm.)
Useful Cylinder Length	47.6 in.	(1210 mm.)
Evaporation*	.40 c. ft./h.	(10 l./h.)
Speed	3.5 - 10 ft./min.	(1-3 m/min.)
Net Weight	540 lbs.	(245 kg.)
Shipping Weight	662 lbs.	(300 kg.)
Height	42.8 in.	(1088 mm.)
Width	67.3 in.	(1709 mm.)
Depth	30.1 in.	(765 mm.)
Exhaust Diameter	3.5 in.	(90 mm.)
Exhaust Air Flow	75 cfm	(128 m <sup>3</sup> /h.)
Motor Horsepower (CV) 208/240	.27/.08	(.27/.08)
Electric Heat 208/240	7.2/8 Kw	
Circuit Protection	25 Amps	
Full Load Amps 208/240	21.1/20.3 Amps	
Minimum Clearances:		
Rear	20 in.	(50 cm.)
Sides (L&R)	20 in.	(50 cm.)
Front	40 in.	(100 cm.)

\*\*International Voltages Available

\*1 c. ft. = 8.337 lbs.



2500 State Road 44 • Oshkosh, WI 54904 • (920) 231-8222 • FAX (920) 231-4666 • [www.cont-girbau.com](http://www.cont-girbau.com)